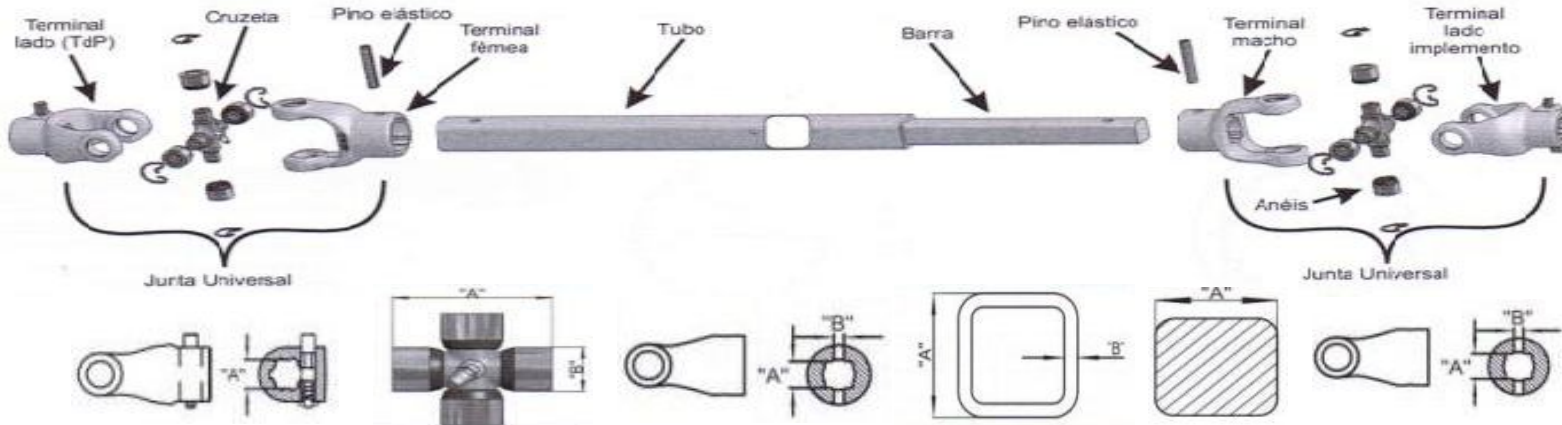


Lado tractor



Lado implemento

SERIE	TERMINAL LADO DEL TRACTOR			CRUZETA			TERMINAL INTERNO LADO HEMBRA			TUBO HEMBRA			BARRA MACHO		TERMINAL INTERNO LADO MACHO		
	Cod.	Estrías	Diam.	Cod.	A	B	Cod.	A	B	Cod.	A	B	Cod.	A	Cod.	A	B
1000	CC04	6	1.3/8"	CC04	61.2	23.82	CC12	28.65	8	CC07	28.65	3.00	CC08	22.20	CC11	22.20	8.00
2000	CC20	6	1.3/8"	CC36	81.7	27	CC21	37	8	CC28A	36.85	3.2	CC29A	30.1	CC22	30	8
2500	CC250	6	1.3/8"	CC103/1	92	30.17	CC251	39.85	10	CC28J	39.8	4.75	CC29A	30.1	CC252	30.1	10
5000	CC50	6	1.3/8"	CC55	106.3	30.17	CC51	45.3	10	CC58	45.3	4	CC59	37	CC52	37	10
6000	CC600	6	1.3/8"	CC101/1	57	38.06	CC601	50.2	10	CC58J	50.2	6.4	CC59	36.8	CC602	37	10

TERMINALES LADO DEL IMPLEMENTO



SERIE	APERTURA LATERAL SIN INTERFERENCIA				APERTURA LATERAL CON INTERFERENCIA			
	Cod.	A	B	C	Cod.	A	B	C
1000	CC14	30	5/16"	13mm	CC15	35	5/16"	13
2000	CC49	30	5/16"	13mm	CC225	35	5/16"	13
2500	CC254	30	5/16"	13mm	CC290	35	3/8"	13
5000	CC81	30	3/8"	13	CC57	35	3/8"	13
6000	CC603	35	3/8"	13				
	CC614	40	5/16"	13mm				

Despiece de cardan

